

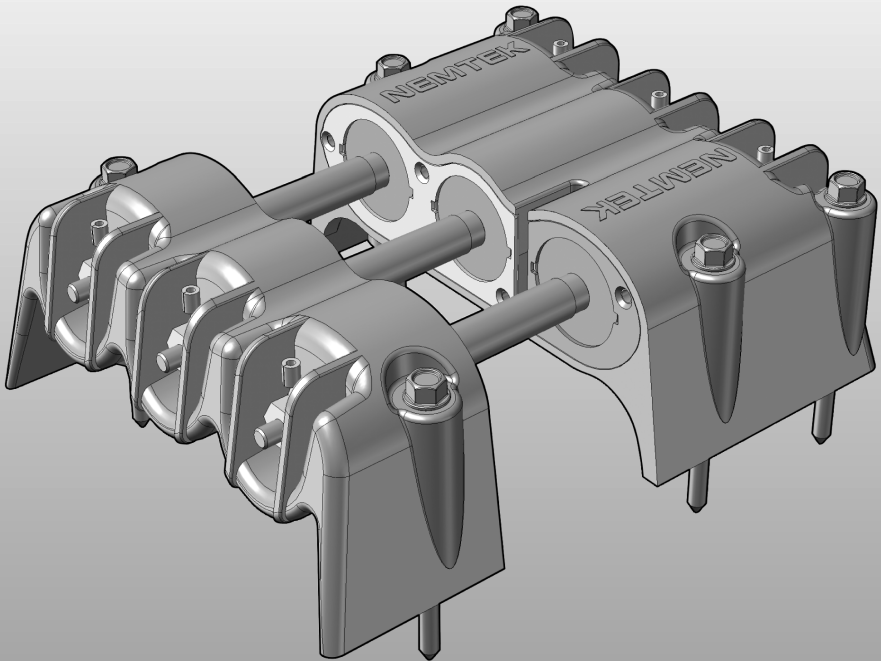
**NEMTEK**  
Electric Fencing Products



# 3 Way Gate Contact

## Sliding & Swing Gates

### Instruction Manual



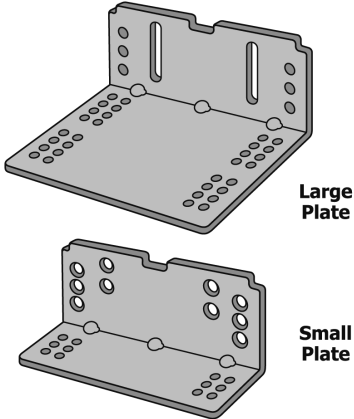
#### INTRODUCTION

The 3 way inline heavy duty sliding gate contact is used for wiring live wires in series onto sliding and swing gates. The extra third connector is used to bring the earth wires onto the gate system. The robust construction using stainless steel and brass makes it suitable for outdoor use in most climates. The large location plates allow for increased tolerance and easier installation.

# Gate Lock Mounting Brackets

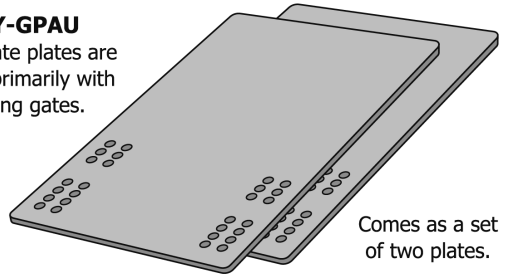
## EA-SGC/UNIB

The mounting Z-type bracket can be used on both sliding and swing gates.



## EY-GPAU

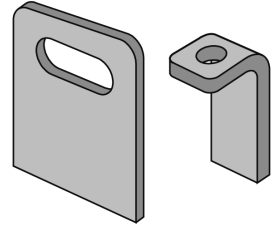
The gate plates are used primarily with swing gates.



## EY-GLAU

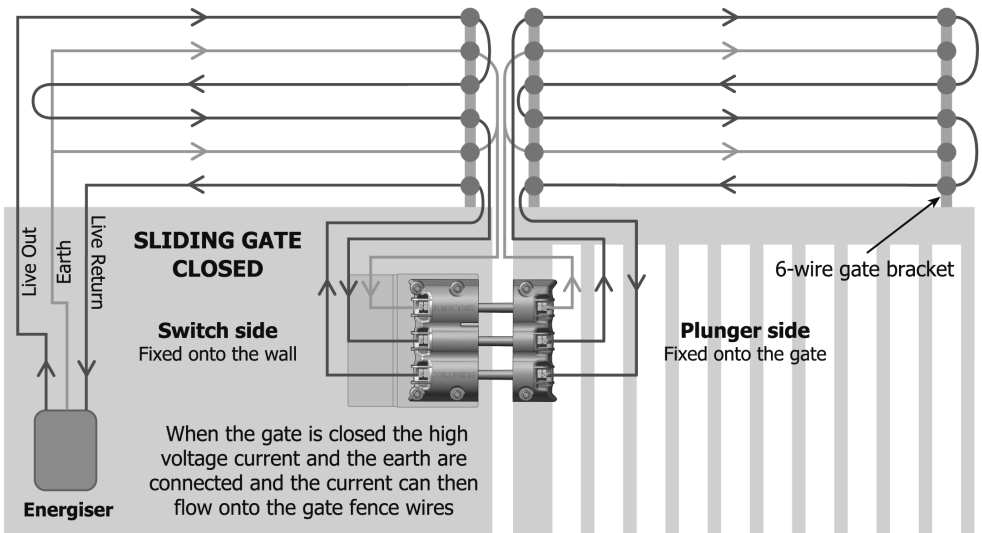
The gate locator assists the swing gate to find the correct position before closing.

Can also be used as an anti-lift device on sliding gates.



# Connecting the Contact to a Sliding Gate

The switch side of the gate contact is mounted onto the fixed, non-moving side of the gate. The energizer will feed into the switch side of the gate contact. As the gate opens the switch will divert the current flow through the internal switch to complete the circuits. This prevents the energizer from going into alarm mode when the gate is opened.

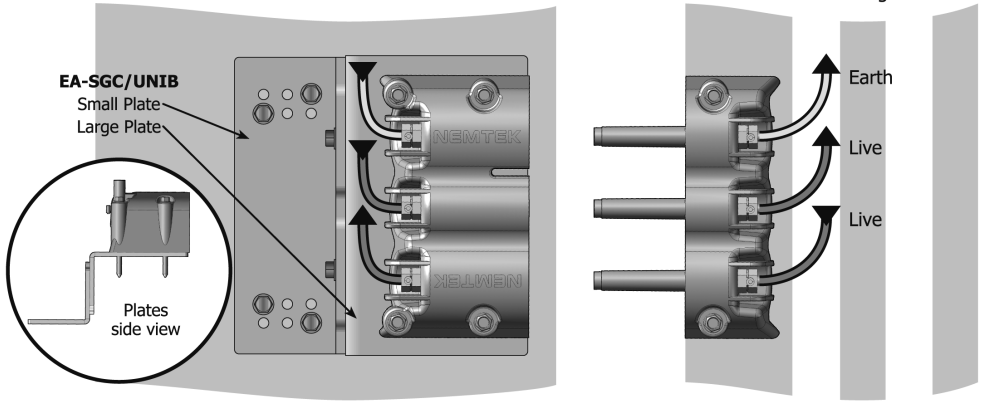


## SLIDING GATE OPEN

Current from the energizer flows through the switch when the gate is in the open position.

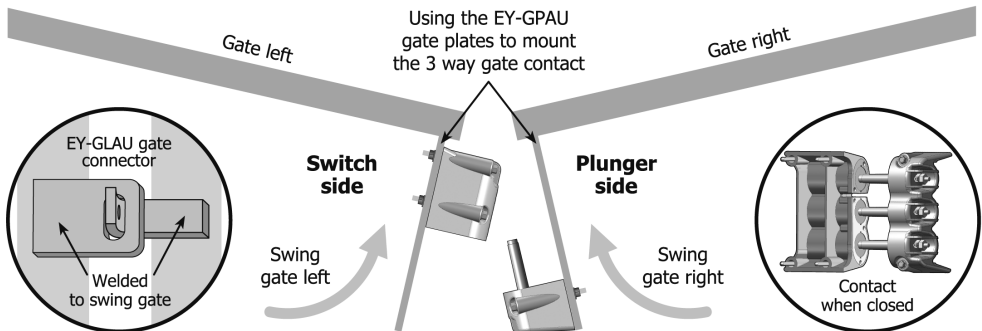
**Switch side**  
Fixed onto the wall

**Plunger side**  
Fixed onto the gate

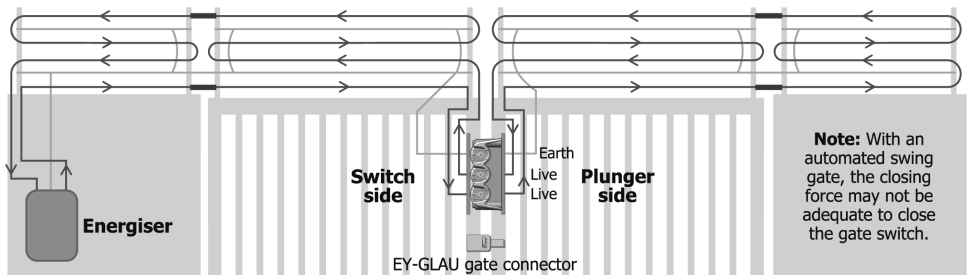


## Connecting the Contact to Swing Gates

Using the EY-GPAU swing gate plates and the EY-GLAU gate locator, the 3 way gate contact can be used to transfer power through a single or double swing gate. The gate locator helps guide the gates into position and can then be used to lock the gate when necessary.



### Wiring of double leaf swing gate



**Note:** With an automated swing gate, the closing force may not be adequate to close the gate switch.

## WARRANTY

Unless otherwise specified all Nemtek energizers have a 2 year warranty and all other fencing components have a 1 year warranty from date of sale against defects due to faulty workmanship or materials. Nemtek (Pty) Ltd will, at its discretion, either repair or replace a product that proves to be defective.

Nemtek (Pty) Ltd does not guarantee that the operation of the product will be uninterrupted and totally error free. Faulty products must be returned to one of the Nemtek Group outlets. The buyer shall pay all shipping and other charges for the return of the product to Nemtek (Pty) Ltd.

## LIMITATION OF WARRANTY

The warranty does not apply to defects resulting from acts of God, modifications made by the buyer or any third party, misuse, neglect, abuse, accident or mishandling.

## EXCLUSIVE REMEDIES

The remedies provided herein are Nemtek (Pty) Ltd's sole liability and the buyers sole and exclusive remedies for breach of warranty. Nemtek (Pty) Ltd shall not be liable for any special, incidental, consequential, direct or indirect damages, whether based on contract, tort, or any other legal theory. The foregoing warranty is in lieu of any and all other warranties, whether expressed, implied, or statutory, including but not limited to warranties of merchantability and suitability for a particular purpose.

**NEMTEK**  
Electric Fencing Products



3WGC 08/21 Rev.1.0

[www.nemtek.com](http://www.nemtek.com)