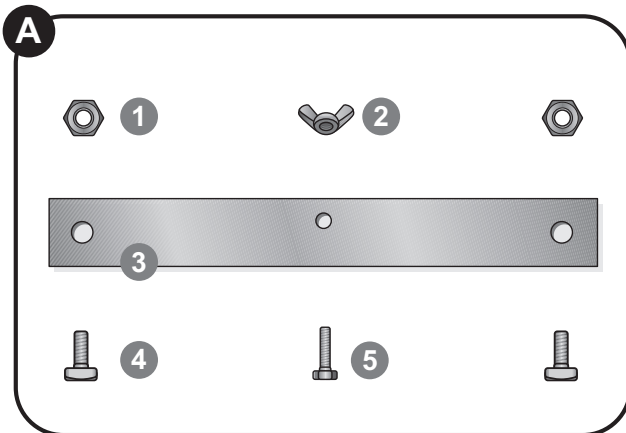
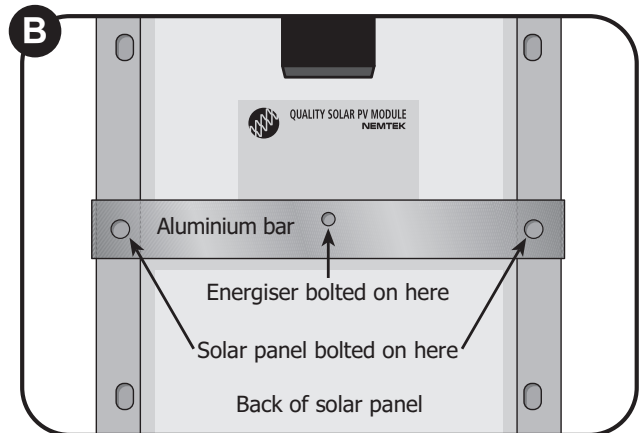




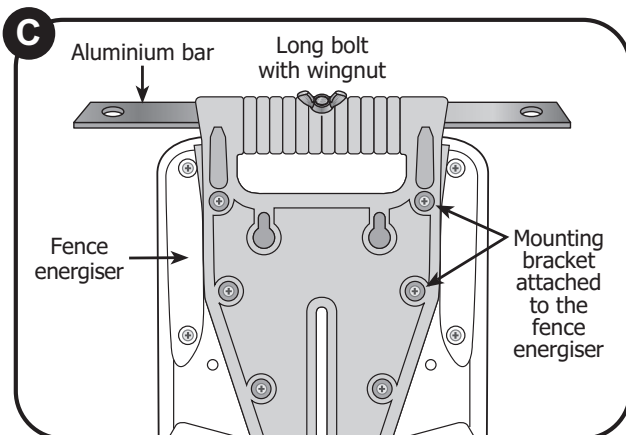
Attaching the solar panel to your AGRI Solar Electric Fence Energizer (for 5W, 10W and 20W panels only - larger panels must be pole-mounted)



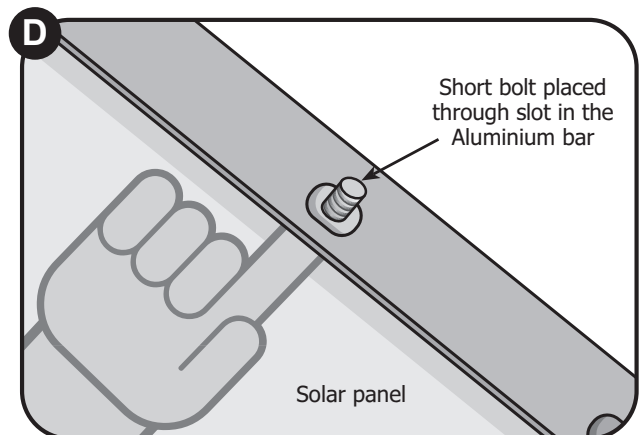
Kit to attach the solar panel: 1. Two galvanised nuts; 2. One wingnut; 3. One flat Aluminium bar; 4. Two 8mm galvanised bolts; 5. One long bolt.



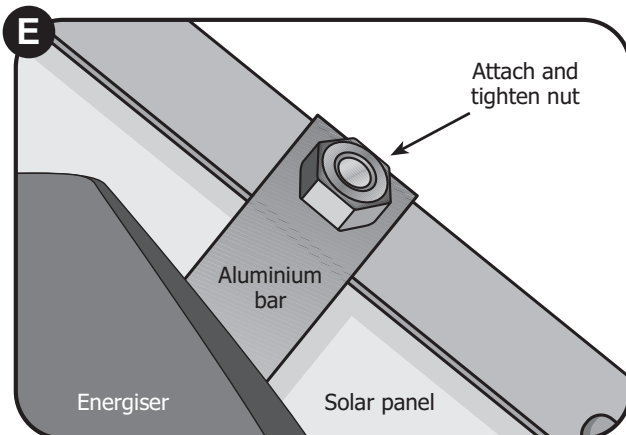
This shows the position where the Aluminium bar can sit on the BACK of the Nemtek solar panel, after you have attached it to the mounting bracket on the energiser.



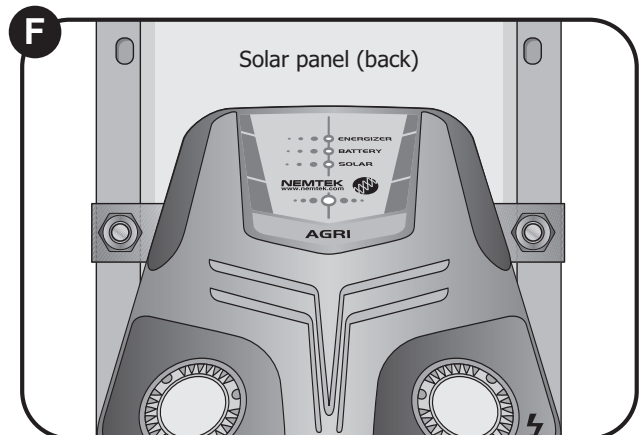
Slide the Aluminium bar through the slot at the top of the mounting bracket. Put the long bolt through the centre hole, then attach one galvanised nut.



Once you have attached the Aluminium bar to the mounting bracket on the energiser, place a short bolt through the side slot on the back of the solar panel.



Place the energiser with attached Aluminium bar onto the back of the solar panel so that the short bolt goes through the hole in the bar and attach a nut.



Do the same for the other side of the Aluminium bar. Make sure all the nuts are tightened, do not over tighten as you may damage the mounting bracket.

NOTE: Once the solar panel is attached to the energiser please refer to the energiser manual for how to correctly connect the red and black wires from the solar panel onto the energiser unit.