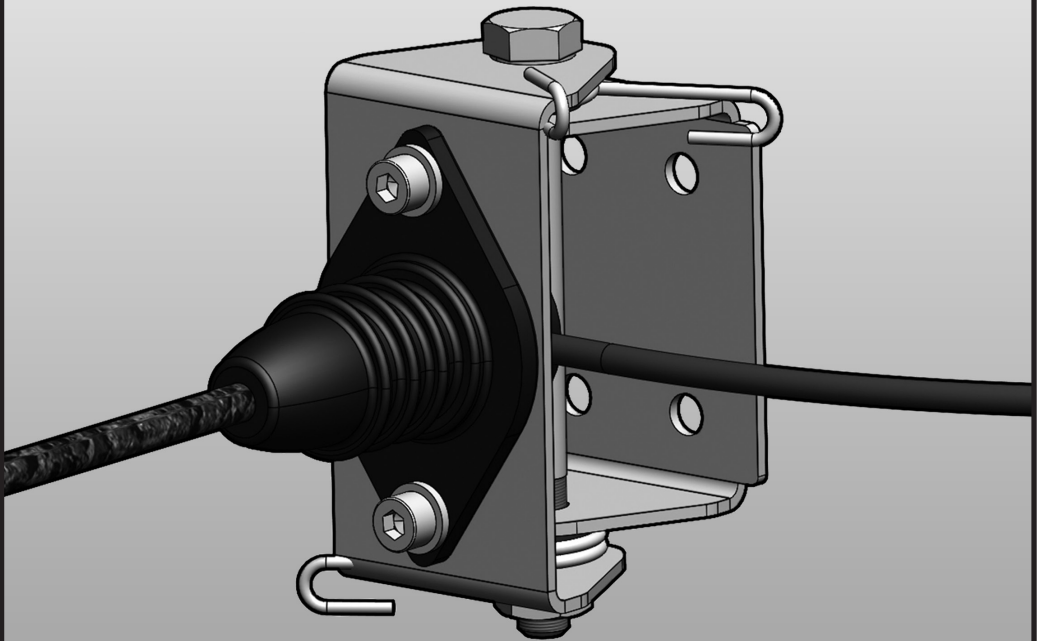




Electric Fence **Drive-through** **Swing Gate System**

Instruction Manual

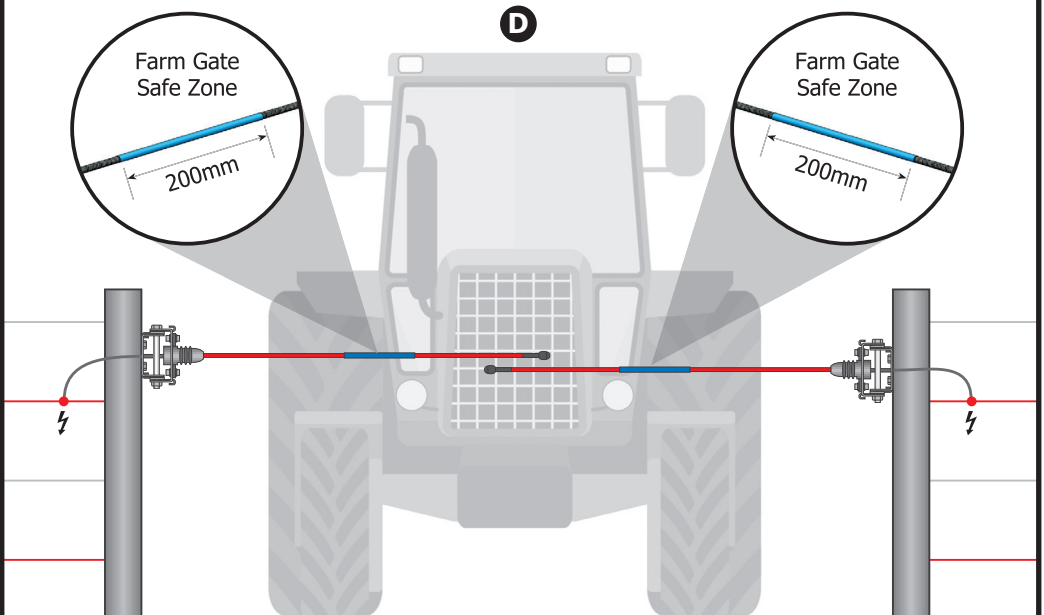
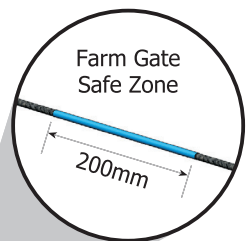
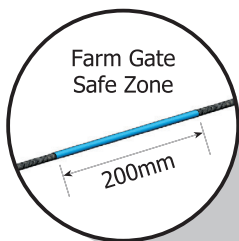
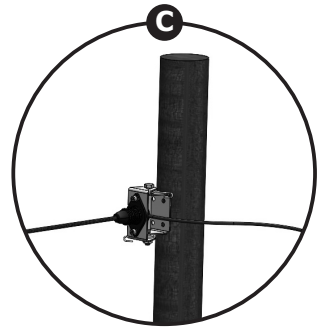
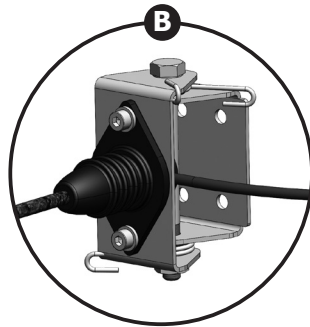


INTRODUCTION

The Nemtek Electric Fence Drive-through Swing Gate System is the ideal solution for keeping animals safely contained at gate openings and allowing cars, tractors, and rotational water sprinklers to push through while the electric fence is on. This innovative system ensures that your livestock remains within designated areas without compromising the ease of access for vehicles and irrigation equipment.

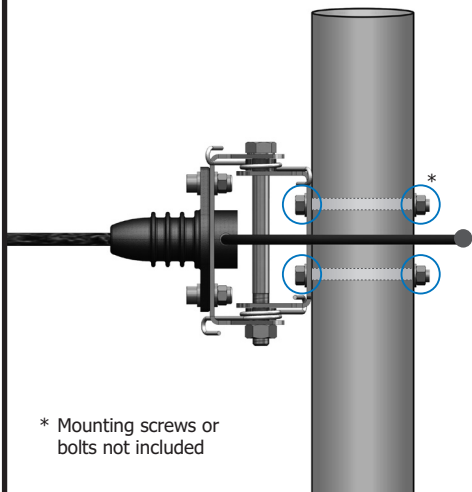
Product Features

- A** Flexible fibreglass rods so vehicles can slowly drive through
- B** Stainless steel body and springs for a longer life
- C** Easy to install onto wooden or steel posts (can also be wall mounted)
- D** Blue insulated plastic sleeve for easy opening while the system is on

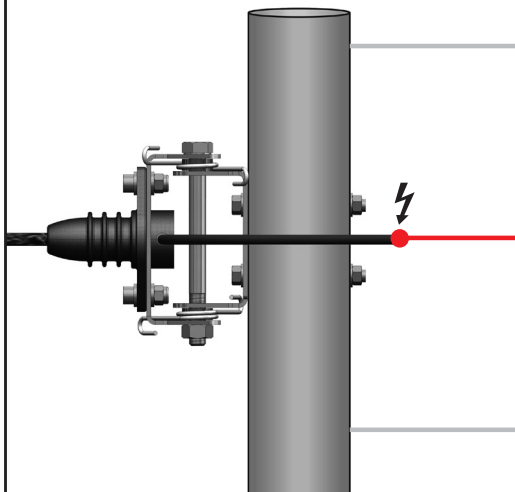


Installation Instructions

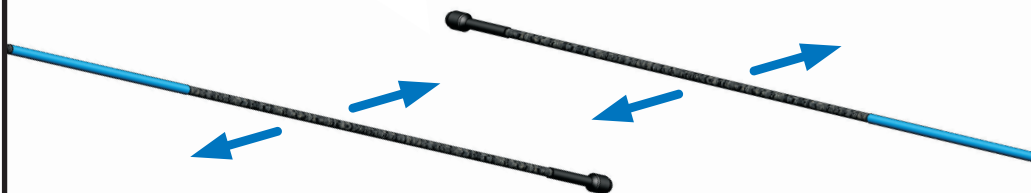
1. Install the stainless-steel hinge parts onto the wooden or steel post. It can also be attached to a wall if required.



2. Connect the HT cable to the live wire of the electric fence.



3. Test that the gate opens freely in both directions before electrifying.



Product Options

CODE	PRODUCT
AA-SGS/12	Electric fence Swing Gate System - 1.2m (2x can be used to create a gate opening of up to 2.4m max without overlap)
AA-SGS/15	Electric fence Swing Gate System - 1.5m (2x can be used to create a gate opening of up to 3.0m max without overlap)

WARRANTY

Unless otherwise specified all Nemtek energizers have a 2 year warranty and all other fencing components have a 1 year warranty from date of sale against defects due to faulty workmanship or materials. Nemtek (Pty) Ltd will, at its discretion, either repair or replace a product that proves to be defective.

Nemtek (Pty) Ltd does not guarantee that the operation of the product will be uninterrupted and totally error free. Faulty products must be returned to one of the Nemtek Group outlets. The buyer shall pay all shipping and other charges for the return of the product to Nemtek (Pty) Ltd.

LIMITATION OF WARRANTY

The warranty does not apply to defects resulting from acts of God, modifications made by the buyer or any third party, misuse, neglect, abuse, accident or mishandling.

EXCLUSIVE REMEDIES

The remedies provided herein are Nemtek (Pty) Ltd's sole liability and the buyers sole and exclusive remedies for breach of warranty. Nemtek (Pty) Ltd shall not be liable for any special, incidental, consequential, direct or indirect damages, whether based on contract, tort, or any other legal theory. The foregoing warranty is in lieu of any and all other warranties, whether expressed, implied, or statutory, including but not limited to warranties of merchantability and suitability for a particular purpose.



EFDTSGS 05/23 Rev.1.0

www.nemtek.com