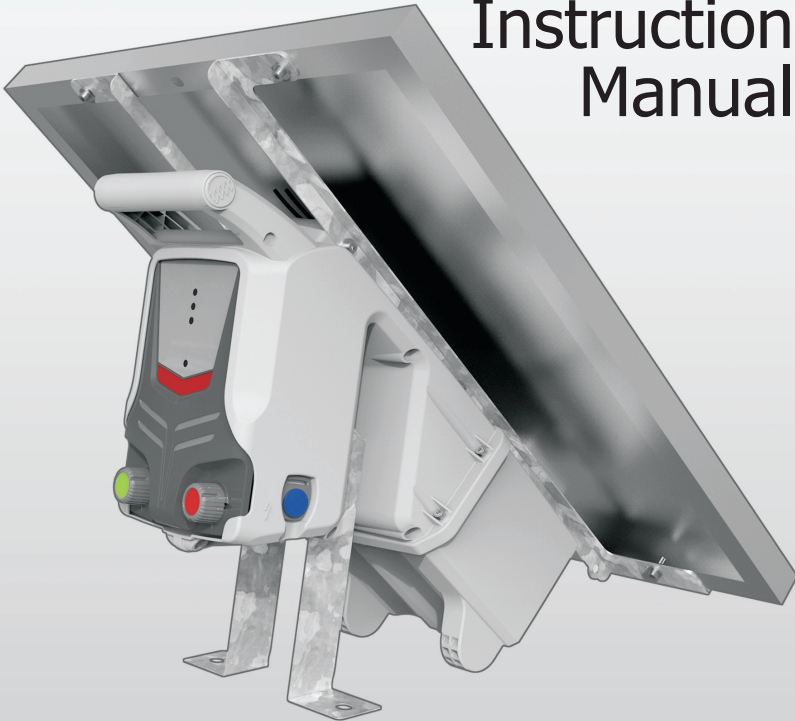




AgriEXO Unit: Energizer / Battery / Solar Panel Combo

Instruction Manual



INTRODUCTION

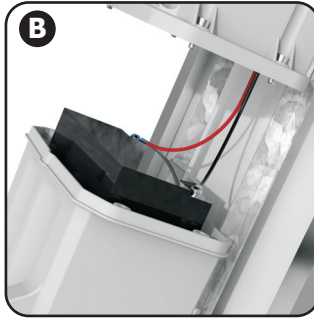
The Nemtek AgriEXO consists of an Agri energizer, lithium battery and solar panel combined into one, easy to use unit. The battery is supplied disconnected. Two different units are available:

- **AE-SB025** 25km distance Solar with a 30 watt Solar Panel
Comes standard with a 12Ah Battery (20Ah Battery option available)
- **AE-SB050** 50km distance Solar with a 45 watt Solar Panel
Comes standard with a 20Ah Battery (30Ah Battery option available)

Connecting the Battery

- A** Use Allen Key size 4 to unscrew the 4 bolts on the battery case at the back of the unit
- B** Connect the battery using the wires that are already connected to the energizer
- C** Check that the energizer is functional, close the battery case and tighten the bolts

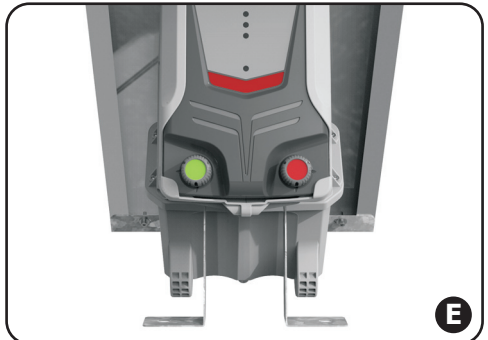
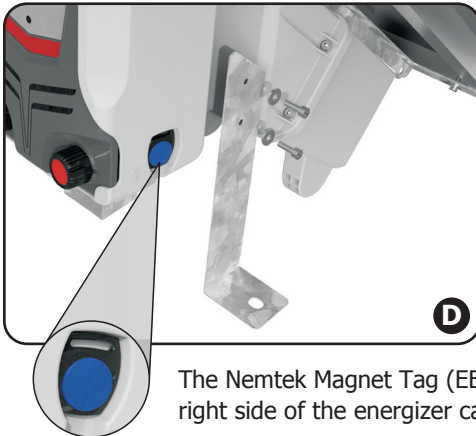
Please Note: Disconnect the battery if storing the unit for a prolonged period of time



Assembling the Feet for Free Standing Option

- D** Connect the feet facing outwards using the washers and bolts provided
- E** With the feet facing outwards the unit can be completely free standing

Please Note: The holes in the feet also allow for mounting on an ATV carrier for transportation

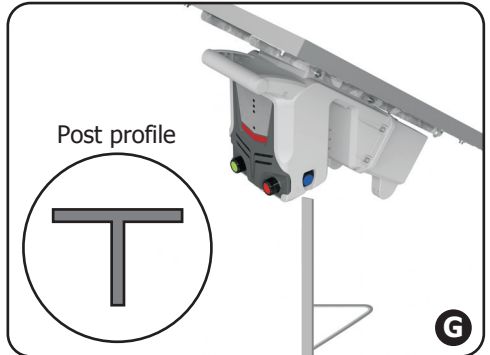
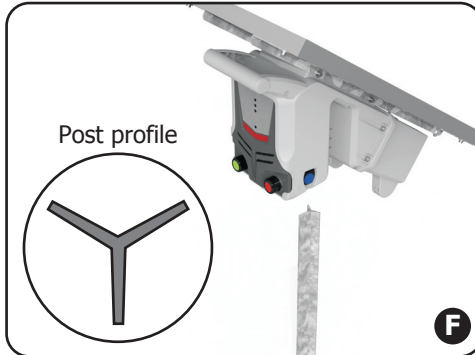


The Nemtek Magnet Tag (EE-WIZ4/MAGNET) is conveniently placed on the right side of the energizer case in front of the right foot

Other Mounting Options

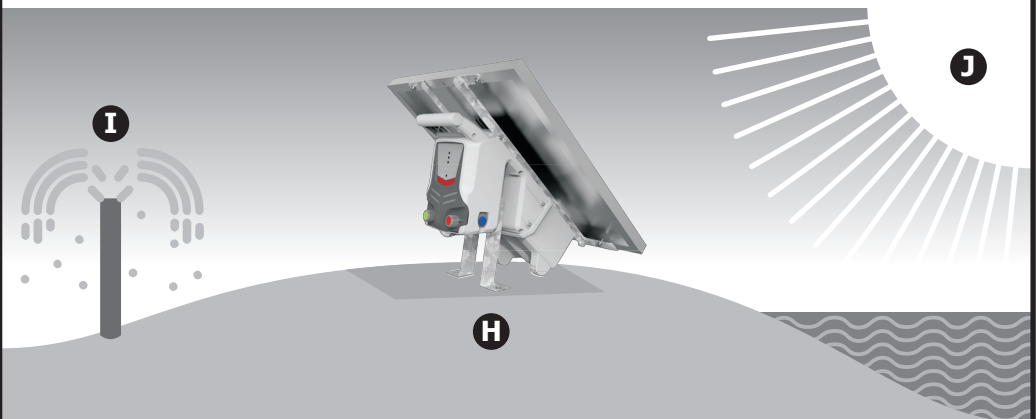
- F** The unit can be mounted onto a Y-picket fence post (additional purchase: EY-Y15NHDG)
- G** The unit can be mounted onto a tread-in post (additional purchase: AA-AETP)

Please Note: For F and G the feet can still be attached



Basic Guidelines for Installation on Site

- H** Place the unit at a high point if free standing to prevent potential water damage
- I** Do not place the unit near active sprinkler or irrigation systems
- J** Place the unit in a position that will maximise the sunlight gathered by the solar panel



WARRANTY

Unless otherwise specified all Nemtek energizers have a 2 year warranty and all other fencing components have a 1 year warranty from date of sale against defects due to faulty workmanship or materials. Nemtek (Pty) Ltd will, at its discretion, either repair or replace a product that proves to be defective.

Nemtek (Pty) Ltd does not guarantee that the operation of the product will be uninterrupted and totally error free. Faulty products must be returned to one of the Nemtek Group outlets. The buyer shall pay all shipping and other charges for the return of the product to Nemtek (Pty) Ltd.

LIMITATION OF WARRANTY

The warranty does not apply to defects resulting from acts of God, modifications made by the buyer or any third party, misuse, neglect, abuse, accident or mishandling.

EXCLUSIVE REMEDIES

The remedies provided herein are Nemtek (Pty) Ltd's sole liability and the buyers sole and exclusive remedies for breach of warranty. Nemtek (Pty) Ltd shall not be liable for any special, incidental, consequential, direct or indirect damages, whether based on contract, tort, or any other legal theory. The foregoing warranty is in lieu of any and all other warranties, whether expressed, implied, or statutory, including but not limited to warranties of merchantability and suitability for a particular purpose.



AE-SBO 04/24 Rev.1.1

www.nemtek.com